

# OpenStage Terminals

Para maiores informações sobre este ou outro produto sioemens ligue:

Tel: 11 2858-0544 ou acesse o site :

[www.asservice.com.br](http://www.asservice.com.br)

## Contents

<b>1</b>	<b>OpenStage Product Family</b> .....	<b>3</b>
1.1	HiPath system requirements .....	3
1.2	Connection to the communication platforms .....	3
1.3	Parameter settings in HiPath 3000/5000 .....	4
1.3.1	Example - TDM telephones .....	4
1.3.2	Example - HFA-Telephones .....	4
1.3.3	Setting the System Flags .....	5
1.4	Software Update for PDM Software .....	6
1.5	Overview of the OpenStage family .....	7
1.6	OpenStage 20 .....	8
1.6.1	General features .....	8
1.6.2	Feature list - OpenStage 20 - SIP .....	9
1.6.2.1	Graphical display .....	9
1.6.2.2	Keys .....	9
1.6.2.3	Audio .....	9
1.6.2.4	IP features .....	9
1.6.2.5	Additional features .....	10
1.7	OpenStage 40 .....	11
1.7.1	General features .....	11
1.7.2	Feature list - OpenStage 40 - SIP .....	12
1.7.2.1	Graphical display .....	12
1.7.2.2	Keys .....	12
1.7.2.3	Audio .....	13
1.7.2.4	Interfaces .....	13

1.7.2.5	IP features	13
1.7.2.6	Additional features	13
1.8	OpenStage 60	14
1.8.1	General features	14
1.8.2	Feature list - OpenStage 60 - SIP	15
1.8.2.1	Graphical display	15
1.8.2.2	Keys	16
1.8.2.3	Audio	16
1.8.2.4	Interfaces	16
1.8.2.5	IP features	16
1.8.2.6	Additional features	17
1.9	OpenStage 80	18
1.9.1	General features	18
1.9.2	Feature list - OpenStage 80 - SIP	19
1.9.2.1	Graphical display	19
1.9.2.2	Keys	20
1.9.2.3	Audio	20
1.9.2.4	Interfaces	20
1.9.2.5	Special IP features	20
1.9.2.6	Additional features	21
1.10	Power supply	21
1.11	Connection to the communication platforms	21
1.12	Product highlights	22
1.12.1	Usability - large displays	22
1.12.2	Usability - innovative control elements	22
1.13	Accessories	23
1.13.1	Key module	23
1.13.2	BLF 40 (Busy Lamp Field) for OpenStage 40 (HFA variant)	24
1.13.3	Acoustics unit for OpenStage 80 and 60 (all variants)	25
1.13.4	USB headsets	25
1.13.5	USB expansion (all variants)	26
1.13.6	Keyboard in OpenStage design for OpenStage 80 and 60	27

# 1 OpenStage Product Family

## 1.1 HiPath system requirements

The HiPath system must have the latest software version:

- HiPath 2000 V2.0 (HFA only)
- HiPath 3000 V7.0 (TDM and HFA)
- HiPath 5000 V7.0 (HFA only)
- HiPath 4000 V4.0 (TDM and HFA)
- HiPath 8000 V2.2 (SIP only)

## 1.2 Connection to the communication platforms

The SIP variants of the OpenStage product family are compatible with the following communication platforms:

- HiPath 8000 V2.2
- HiPath 4000 V4.0
- HiPath 2000 V2.0
- HiPath 3000/5000 V7.0
- Sylantra
- Broadsoft
- Other SIP servers (only with usual functionality)

## 1.3 Parameter settings in HiPath 3000/5000

### 1.3.1 Example - TDM telephones

Station | Key programming | **Endpoint hw sw version** | Fax / Modem | Emergency | Gatekeeper | Gateway | Mobile C

Current SW Versions in MMC

WP1: V0R0.45.1 TDM C01      WP2: V0R0.45.1 TDM C01  
 WP3:                                      EXT:

	Call no.	Name	Type	SW actual	HW version	Access
21	120		OpenStage WP2	V0R0.45.1 TDM ...	S30817-S7302-A...	SLU8 6 - 7 Master
22	121		OpenStage WP1	V0R0.45.1 TDM ...	S	SLU8 6 - 8 Master

### 1.3.2 Example - HFA-Telephones

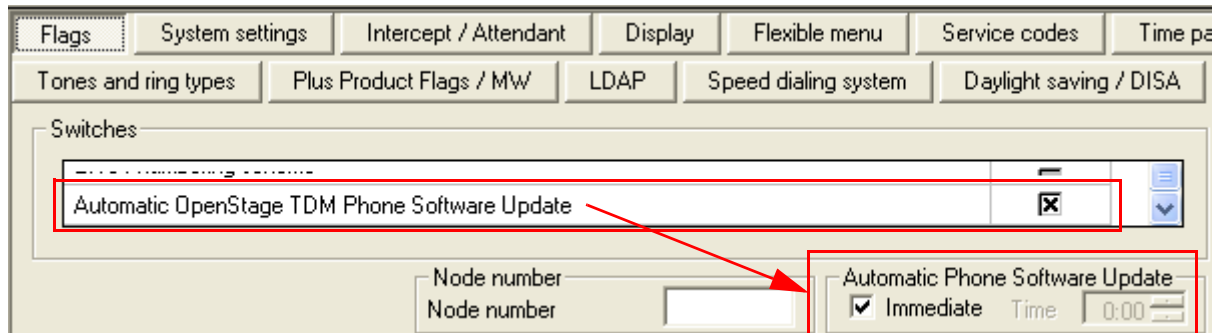
Station | Key programming | **Endpoint hw sw version** | Fax / Modem | Emergency | Gatekeeper | Gateway | Mobile C

Current SW Versions in MMC

WP1:                                      WP2: V0R0.40.1 TDM C01  
 WP3:                                      EXT:

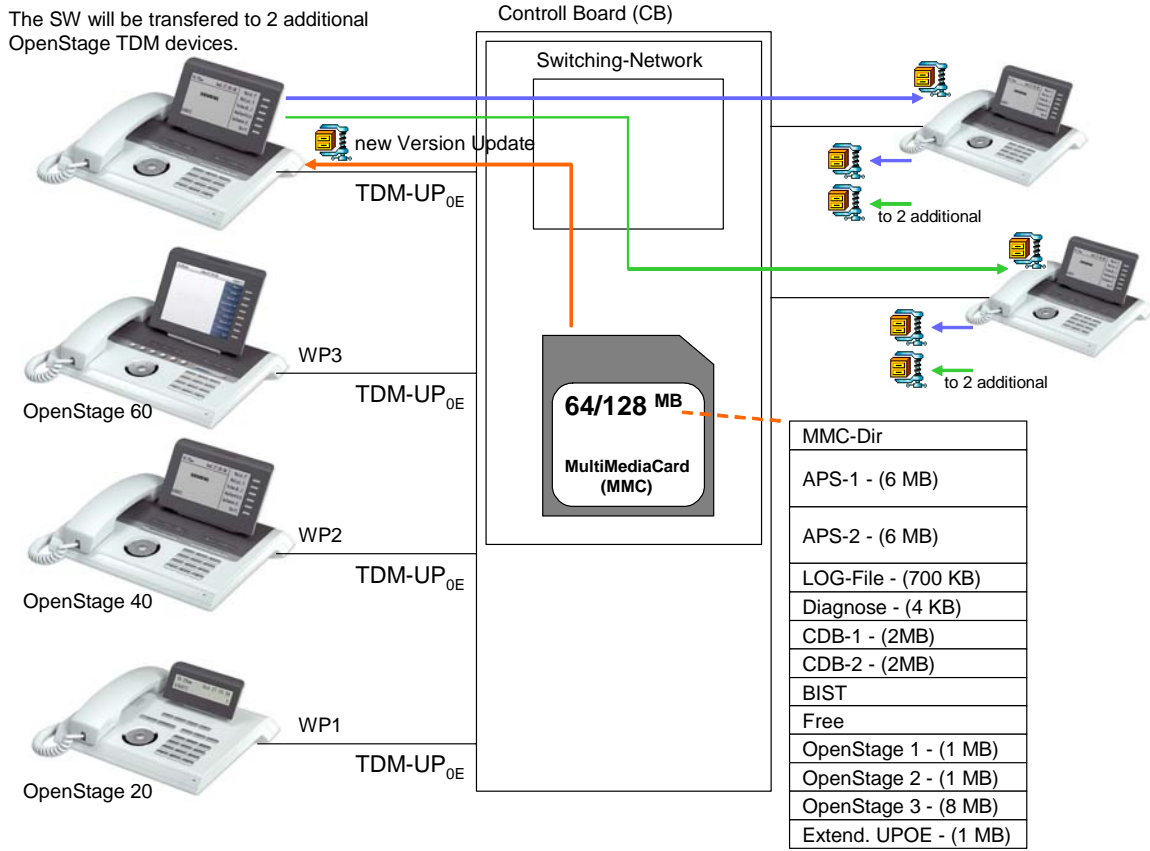
	Call no.	Name	Type	SW actual	HW version	Access
121						
122	221	WP 1	OpenStage WP1			STMI2 4 - SYS - 8
123	222	WP 2	OpenStage WP2			STMI2 4 - SYS - 9
124	223	WP 3	OpenStage WP3			STMI2 4 - SYS - 10
125	224	WP 4	OpenStage WP4			STMI2 4 - SYS - 11

### 1.3.3 Setting the System Flags



# 1.4 Software Update for PDM Software

The SW will be transferred to 2 additional OpenStage TDM devices.



## 1.5 Overview of the OpenStage family

The OpenStage product family provides a new generation of communication devices for economical and efficient business communication. The main features of this product line are:

### Convenient handling with large graphical displays

The OpenStage 60 and OpenStage 80 hardware variants have large graphical displays (OpenStage 60: 320 x 240 QVGA / OpenStage 80 640 X 480 VGA). Therefore, not only is it possible to show plain text such as telephone books or call logs on the graphical display, it is also possible to use various high-grade graphical applications such as Internet browsers, diaries and buddy lists.

In addition, this guarantees convenient operation of external applications such as LDAP, Xpressions (by XML) or Unity IP.

### Sensor technology

The OpenStage 60, 80 hardware variant and also the freely-programmable, individual keys in the 40 variant use touch-sensitive technology.

The OpenStage 60 and 80 variants also have 6 additional, illuminated sensor keys for the navigation function and a separate Navi key with a sensor ring for fast navigation through the complex menu. An illuminated, touch-sensitive audio control (Touch Slider) is implemented for adjusting the volume of the handset, the ringer, etc.

### Freely-programmable keys with self-labeling function on the graphical display

Depending on the hardware variant, OpenStage 40, 60 and 80 provide a different number of individual, programmable keys (OpenStage 40: 6 keys / OpenStage 60: 8 keys and OpenStage 80: 9 keys). These keys can be used as "line" keys or "speed dial" keys. It is possible to assign one of the numerous standard or comfort functions such as "Do Not Disturb", "Toggling" or "Conference" to the keys.

### Connecting variants

The following connecting variants are possible for all hardware variants of the OpenStage product family:

- SIP interface
- SIP interface / Gigabyte variant
- CorNet IP interface
- CorNet IP interface / Gigabit variant
- TDM interface

## 1.6 OpenStage 20



### 1.6.1 General features

Range	Feature
General	Size in mm (h x w x d): 70 x 240x 221
	Wall mounting is possible
Display	Swiveling LCD graphical display
	Resolution: 24 x 2 characters
	Color depth: 1 bit (monochrome)
	Illumination: No
Navigation keys	Multifunctional Navi key
Permanently assigned function keys	Disconnect call
	Call forwarding
	Redialing
	User menu
	Voice messages



Range	Feature
Programmable keys	No
Audio control elements	Speaker on/off
	Microphone on/off
	Volume: +/- keys
Interfaces	3-port Ethernet switch (only SIP/CorNet IP)
	Phone/Analog adapter (only TDM)
	WBM (Admin: only SIP/CorNet IP, User: only SIP)

## 1.6.2 Feature list - OpenStage 20 - SIP

### 1.6.2.1 Graphical display

Swiveling graphical display with backlighting

Monochrome (1 bit) / 2 lines / 24 characters per line

### 1.6.2.2 Keys

Dial pad

7 preprogrammed function keys (some equipped with red LEDs)

+/- keys for volume adjustment and navigation

Click wheel: 3-way navigation (up/down/OK)

### 1.6.2.3 Audio

Full duplex handsfree mode

### 1.6.2.4 IP features

SIP (Session Initiation Protocol) in accordance with IETF RFC 3261

Integrated 3-port Ethernet switch (Gigabit variant for later release)

Voice codecs: G.711, G.729, G.722, iLBC

DHCP, FTP, HTTP, SNMP

QoS according to DiffServ

VLAN

IEEE 802.3af Power over Ethernet (PoE)

Status LED for LAN interface

Syslog support

Telephone configuration via Web-Based Management Tool (Admin and User part)

#### **1.6.2.5 Additional features**

Wall mounting possible

Plug & Play support (via DLS)

Backup and restore of telephone configurations (via DLS)

## 1.7 OpenStage 40



### 1.7.1 General features

Range	Feature
General	Size in mm (b x w x d): 70 x 270x 221
	Wall mounting possible
Display	Swiveling LCD graphical display
	Resolution: 40 x 6 characters
	Color depth: 1 bit (monochrome)
	Backlighting: yes
Navigation keys	Multifunctional navigation key

<b>Range</b>	<b>Feature</b>
Permanently assigned function keys	Disconnect call
	Call forwarding
	Redialing
	Service/Application menu
	Voice messages
Programmable keys	6 (10 by using the shift function)
Audio control elements	Speaker on/off
	Headset on/off
	Microphone on/off
	Volume: +/- keys
Interfaces	Headset
	USB slave (only TDM variant)
	3-port Ethernet switch (only SIP/CorNet IP)
	Key module
	Busy Lamp Field (only CorNet IP/TDM)
	Phone/Analog adapter (only TDM)
	WBM (Admin: only SIP/CorNet IP, User: only SIP)

## 1.7.2 Feature list - OpenStage 40 - SIP

### 1.7.2.1 Graphical display

Swiveling graphical display with backlighting

Monochrome (1 bit) / 6 lines / 40 characters per line

### 1.7.2.2 Keys

Dial pad

8 preprogrammed function keys (some equipped with red LEDs)

6 freely programmable, sensory function keys with red LEDs

Click wheel: 5-way navigation (right/left/up/down/OK)

### **1.7.2.3 Audio**

Full duplex handsfree mode

### **1.7.2.4 Interfaces**

Headset

### **1.7.2.5 IP features**

SIP (Session Initiation Protocol) in accordance with IETF RFC 3261

Integrated 3-port Ethernet switch (Gigabit variant for later release)

Voice codecs: G.711, G.729, G.722, iLBC

DHCP, FTP, HTTP, SNMP

QoS according to DiffServ

VLAN

IEEE 802.3af Power over Ethernet (PoE)

Status LED for LAN interface

Syslog support

Telephone configuration via Web-Based Management Tool (Admin and User part)

### **1.7.2.6 Additional features**

Optical signaling of incoming calls

Wall mounting possible

Add-on key terminal

Support of BLF (Busy Lamp Field)

Plug & Play support (via DLS)

Backup and restore of telephone configurations (via DLS)

## 1.8 OpenStage 60



### 1.8.1 General features

Range	Feature
General	Size in mm (h x w x d): 70 x 300 x 269
	No wall mounting possible

<b>Range</b>	<b>Feature</b>
Display	Swiveling TFT graphical display
	Resolution: 320 x 240 (QVGA)
	Color depth: 16-bit
	Backlighting: yes
Navigation keys	Multifunctional Navi key with sensor ring
	6 backlit sensor keys for functions / navigation
Permanently assigned function keys	Disconnect call
	Call forwarding
	Voice dialing
Programmable keys	8 (14 by using the shift function)
Audio control elements	Speaker on/off
	Headset on/off
	Microphone on/off
	Sensor audio control
Interfaces	Headset
	Bluetooth
	USB master
	USB slave (only TDM variant)
	3-port Ethernet switch (only SIP/CorNet IP)
	Key module
	Phone/Analog adapter (only TDM)
	WBM (Admin: only SIP/CorNet IP, User: only SIP)

## 1.8.2 Feature list - OpenStage 60 - SIP

### 1.8.2.1 Graphical display

Swiveling TFT graphical display with backlighting

Resolution: 320 x 240 (QVGA) / 16-bit

### **1.8.2.2 Keys**

Dial pad

6 preprogrammed function keys (some equipped with blue LEDs)

8 freely programmable, sensor function keys with blue LEDs

6 sensor function keys with white and blue LEDs to control applications

Sensor touch slider with blue and white LEDs for volume control

Touch wheel: 5-way navigation (right/left/up/down/OK) and sensor ring

### **1.8.2.3 Audio**

Full duplex handsfree mode

Support of polyphony and MP3 ringer sound

Voice dialing

### **1.8.2.4 Interfaces**

Headset

Bluetooth

USB master

Backup and restore with USB memory stick

WLAN connection via USB WLAN dongle

Audio line in/out and recorder interface via USB audio adapter

### **1.8.2.5 IP features**

SIP (Session Initiation Protocol) in accordance with IETF RFC 3261

Integrated 3-port Ethernet switch (Gigabit variant for later release)

Voice codecs: G.711, G.729, G.722, iLBC

DHCP, FTP, HTTP, SNMP

QoS according to DiffServ

VLAN

IEEE 802.3af Power over Ethernet (PoE)

Status LED for LAN interface



Syslog support

Telephone configuration via Web-Based Management Tool (Admin and User part)

### **1.8.2.6 Additional features**

Optical signaling of incoming calls

Support of external applications

Support of key modules

Support of OpenStage keyboard

Plug & Play support (via DLS)

Backup and restore of telephone configurations (via DLS)

## 1.9 OpenStage 80



### 1.9.1 General features

Range	Feature
General	Size in mm (h x w x d): 70 x 300 x 280
	No wall mounting possible

Range	Feature
Display	Swiveling TFT graphical display
	Resolution: 640 x 480 (VGA)
	Color depth: 16-bit
	Backlighting: YES
Navigation keys	Multifunctional Navi key with sensor ring
	6 backlit sensor keys for functions / navigation
Permanently assigned function keys	Disconnect call
	Call forwarding
	Voice dialing
Programmable keys	9 (16 by using the shift function)
Audio control elements	Speaker on/off
	Headset on/off
	Microphone on/off
	Sensor audio control
Interfaces	Headset
	Bluetooth
	USB master
	USB slave (only TDM variant)
	3-port Ethernet switch (only SIP/CorNet IP)
	Key module
	Phone/Analog adapter (only TDM)
	WBM (Admin: only SIP/CorNet IP, User: only SIP)

## 1.9.2 Feature list - OpenStage 80 - SIP

### 1.9.2.1 Graphical display

Swiveling TFT graphical display with backlighting

Resolution: 640 x 480 (VGA) / 16-bit

### **1.9.2.2 Keys**

Dial pad

6 preprogrammed function keys (some equipped with blue LEDs)

9 freely programmable, sensor function keys with blue LEDs

6 sensor function keys with white and blue LEDs to control applications

Sensor touch slider with blue and white LEDs for volume control

Touch wheel: 5-way navigation (right/left/up/down/OK) and sensor ring

### **1.9.2.3 Audio**

Full duplex handsfree mode

Support of polyphony and MP3 ringer sound

Voice dialing

### **1.9.2.4 Interfaces**

Headset

Bluetooth

USB master

Backup and restore with USB memory stick

WLAN connection via USB WLAN dongle

Audio line in/out and recorder interface via USB audio adapter

### **1.9.2.5 Special IP features**

SIP (Session Initiation Protocol) in accordance with IETF RFC 3261

Integrated 3-port Ethernet switch (Gigabit variant for later release)

Voice codecs: G.711, G.729, G.722, iLBC

DHCP, FTP, HTTP, SNMP

QoS according to DiffServ

VLAN

IEEE 802.3af Power over Ethernet (PoE)

Status LED for LAN interface

Syslog support

Telephone configuration via Web-Based Management Tool (Admin and User part)

### **1.9.2.6 Additional features**

Optical signaling of incoming calls

Support of external applications

Support of key modules

Support of OpenStage keyboard

Plug & Play support (via DLS)

Backup and restore of telephone configurations (via DLS)

## **1.10 Power supply**

The optional plug-in power supply should only be used if the network does not supply “Power over LAN” (PoL).

Only use the original plug-in power supply for OpenStage devices with the order number “C39280-Z4-C51 x” (x= 0, 1, 2).

## **1.11 Connection to the communication platforms**

The SIP variants of the OpenStage product family are compatible with the following communication platforms:

- HiPath 8000 V2.2
- HiPath 4000 V4.0
- HiPath 2000 V2.0
- HiPath 3000/5000 V7.0
- Sylantro
- Broadsoft

Other SIP servers (only with usual functionality)

## 1.12 Product highlights

### 1.12.1 Usability - large displays

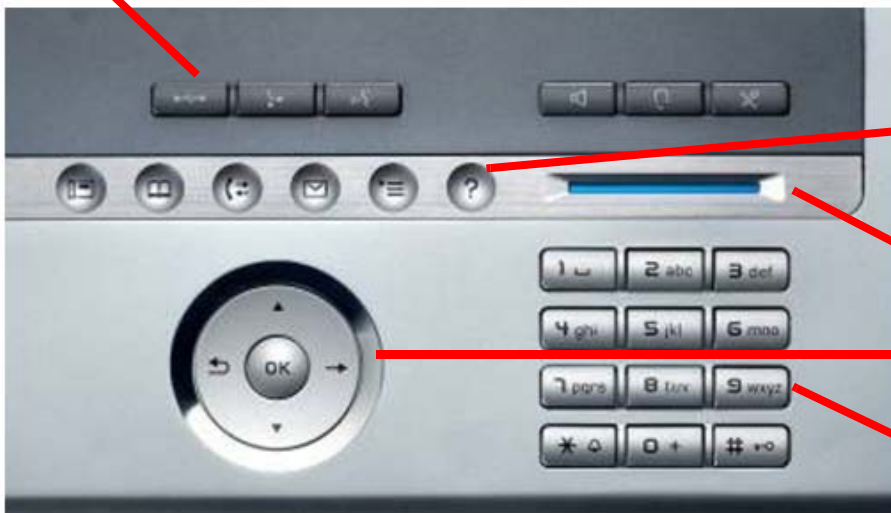


Freely programmable touch keys with LEDs:

- Same functionality as in opti-Point.
  - Speed dial / name key
  - Line key
  - Feature key

### 1.12.2 Usability - innovative control elements

- Most of the features used are available via permanently assigned function keys



Mode (touch) keys to access features and applications

Touch slider for volume adjustment

Touch wheel allows easy navigation

Keypad (pushbuttons)

## 1.13 Accessories

### 1.13.1 Key module

Key module for OpenStage 80, 60, 40 (all variants)



The key module provides 12 additional individually programmable keys. Together with the shift function, it is possible to use a total of 22 speed dial keys, call functions or other control options.

### 1.13.2 BLF 40 (Busy Lamp Field) for OpenStage 40 (HFA variant)



The BLF 40 offers an additional programmable key field with 90 individual programmable keys. If a shift key function is also available, this enables up to 178 individual programmable keys in total.



### 1.13.3 Acoustics unit for OpenStage 80 and 60 (all variants)



In accordance with the design of the OpenStage family, the acoustics unit is a compact solution with a loudspeaker and microphone in a box. A call can be interrupted via the Mute key. If the Mute function is activated, this is indicated by an LED. The volume can be controlled directly on the acoustics unit via a volume control which is very easily adjusted to the surroundings and the circumstances.

### 1.13.4 USB headsets



The integrated Bluetooth technology enables the use of wireless, compact, but comfortable headset systems.

### 1.13.5 USB expansion (all variants)



The USB expansion does not only serve as a USB hub for connecting additional USB devices such as WLAN dongles or USB memory sticks. The integrated “Class D amplifier” and a connected microphone enable optimized tape recording as well as an optimized voice transmission quality to be achieved while improving the sound quality of the loudspeaker and handsfree speaking systems.

### 1.13.6 Keyboard in OpenStage design for OpenStage 80 and 60



Adapted to the OpenStage design, the keyboard forms a visually harmonious unit of the OpenStage 80 and 60. The keyboard is available in both QWERTZ and QWERTY variants.